

# TLX BEAM



## • OPTICAL

Light Source	110W white LED module
Color Temperature	7,400K
Beam Angle	1.5°
Luminaire Output	2,100lm
Illuminance	49,000lux @ 10m

## • DYNAMIC EFFECT

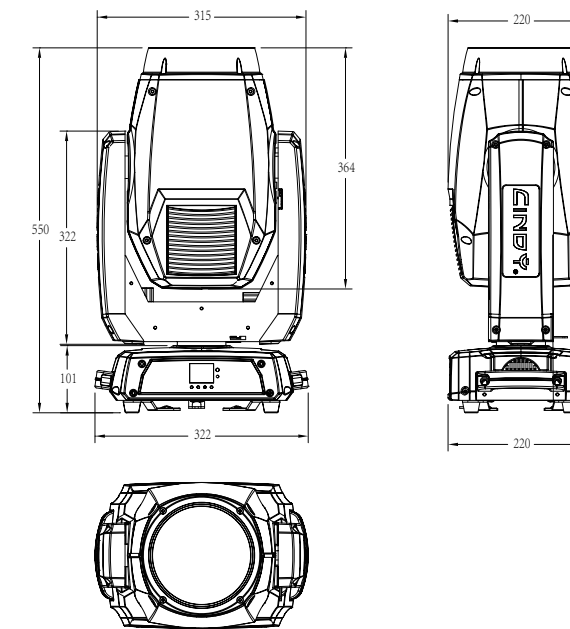
Selectable Pan Ranges	180°, 360°, 540°
Selectable Tilt Ranges	90°, 180°, 270°
Colors	14 colors +white, split colors, rainbow effects at variable speeds.
Gobos	17 static metal gobos+open, rainbow effects at variable speeds.
Dimmer	0-100% electronics
Strobe	0-25Hz, selectable multiple strobe effects with different speeds.
Focus	Motorized
Frost	Motorized
Prism 1	8-facet prism, rotating at variable speeds.
Prism 2	24-facet prism, rotating at variable speeds

## • ELECTRONIC/OPERATION TEMPERATURE

Input Voltage	100V-240V, 50/60Hz
Power	210W
Temperature (Ambient)	-5° to 45°

## • CONTROL/CONNECTION

Control Protocol	DMX, RDM
DMX Channels	16, 19
3 pin XLR input /output	



Size	322*220*550mm
Weight	15KG
Housing Colors	Black
Housing Material	High-impact flame-retardant polymer

