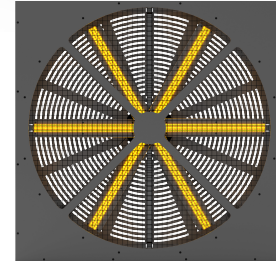
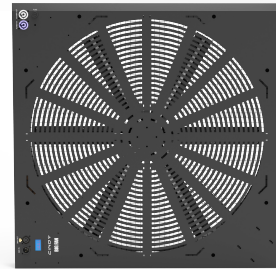
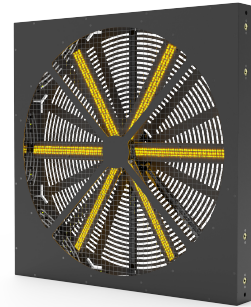
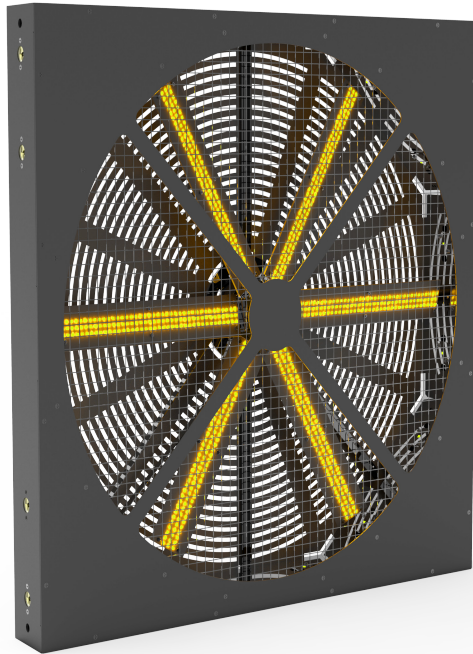


BIG FAN



CINDY®

● OPTICAL

Light Source	RGB LED and UV LED
--------------	--------------------

● DYNAMIC EFFECT

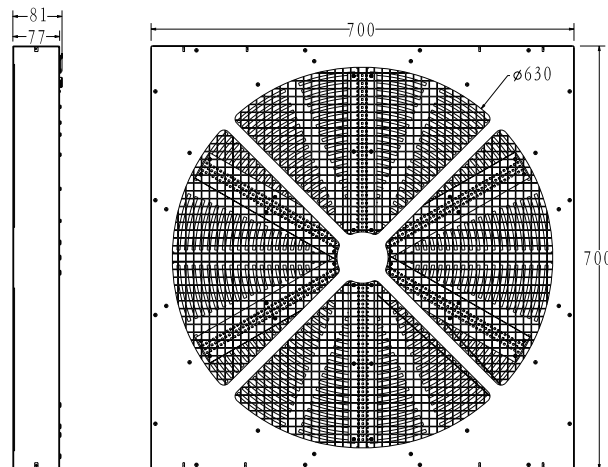
LED	section control
Dimmer	0-100% electronics, 4 dimming curves options
Strobe	0-20Hz, selectable multiple strobe effects with different speeds
RGB color mixing	
Dynamic fan effect, speed and direction adjustable	

● ELECTRONIC/OPERATION TEMPERATURE

Input Voltage	100V-240V, 50/60Hz
Power	400W
Temperature (Ambient)	-5° to 45°

● CONTROL/CONNECTION

Control Protocol	DMX, RDM
3 pin XLR input/output	



Size	700*700*81MM
Weight	14KG
Housing Material	metal