

CT3 WASH

CINDY®



● **OPTICAL**

| | |
|--------------------|--|
| Light Source | 19 pcs 40W RGBW 4 in 1 LED |
| Color Temperature | 2800K-10000K adjustable |
| Beam Angle | 4.5° -50° |
| Luminaire Output | 11,000lm |
| Illuminance (6°) | 38,000lux @ 5m |
| Illuminance (50°) | 1,350lux @5m |
| PWM Options | 600Hz, 1200Hz, 2000Hz, 4000Hz, 6000Hz, 15000Hz |

● **DYNAMIC EFFECT**

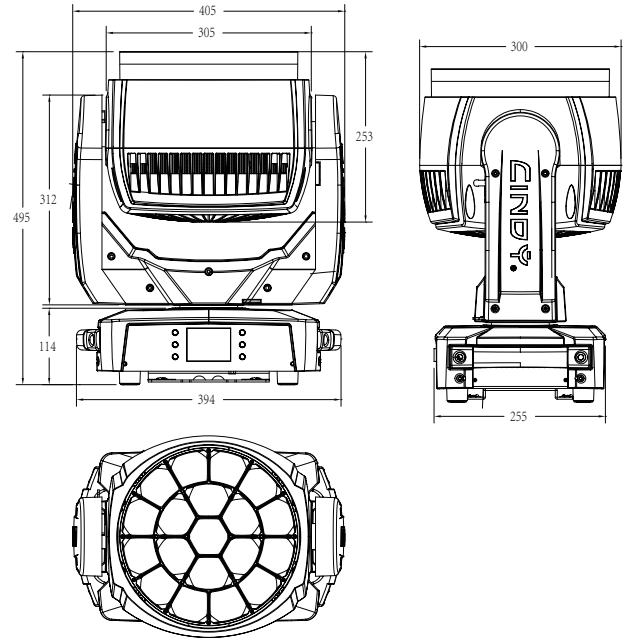
| | |
|------------------------|---|
| LED | Each LED can be individually controlled. |
| Selectable Pan Ranges | 180°, 360°, 540° |
| Selectable Tilt Ranges | 90°, 180°, 270° |
| Dimmer | 0-100% electronics, 4 dimming curves options. |
| Strobe | 0-25Hz, selectable multiple strobe effects with different speeds. |
| Zoom | Motorized |
| Color Mixing | RGBW mixing or CMY mixing |

● **ELECTRONIC/OPERATION TEMPERATURE**

| | |
|-----------------------|--------------------|
| Input Voltage | 100V-240V, 50/60Hz |
| Power | 918 W |
| Temperature (Ambient) | -5° to 45° |

● **CONTROL/CONNECTION**

| | |
|---|--|
| Control Protocol | DMX , RDM , ArtNet, Kling-Net , sACN , WDMX(*optional) |
| DMX (Single Mode) | 21 , 97 , 179 , 217 |
| DMX (Dual Mode) Movement | 9 , 21 , 27 |
| DMX (Dual Mode) Pixel | 57 , 76 , 152 |
| 3 pin/5 pin XLR input/output, ethernet input/output | |



| | |
|------------------|-------------------------------------|
| Size | 405*300*495mm |
| Weight | 19KG |
| Housing Colors | Black |
| Housing Material | High-impact flame-retardant polymer |