

CT4 BEAM



CINDY®

● OPTICAL

Light Source	Ushio 400W lamp
Color Temperature	7,000K
Beam Angle	1.6°
Luminaire Output	17,500lm
Illuminance	180,000lux @ 20m

● DYNAMIC EFFECT

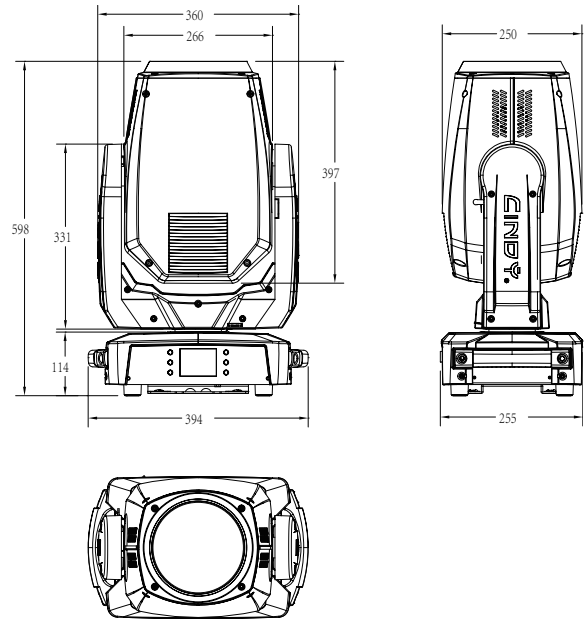
Selectable Pan Ranges	180°, 360°, 540°
Selectable Tilt Ranges	90°, 180°, 270°
Colors	14 colors +white, split colors, rainbow effects at variable speeds.
Gobos	17 static metal gobos+open, rainbow effects at variable speeds.
Dimmer	0-100% electronics
Strobe	0-15Hz, selectable multiple strobe effects with different speeds.
Focus	Motorized
Frost	Motorized
Prism 1	8-facet prism, rotating at variable speeds.
Prism 2	24-facet prism, rotating at variable speeds.

● ELECTRONIC/OPERATION TEMPERATURE

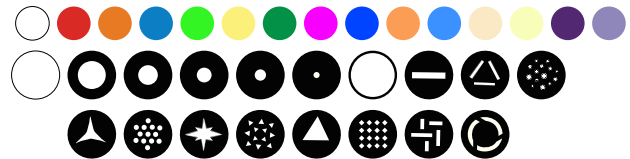
Input Voltage	100V-240V, 50/60Hz
Power	580 W
Temperature (Ambient)	-5° to 45°

● CONTROL/CONNECTION

Control Protocol	DMX, RDM
DMX Channels	16, 18
3 pin 5pin XLR input/output, ethernet input/output	



Size	394*255*598mm
Weight	21KG
Housing Colors	Black
Housing Material	High-impact flame-retardant polymer



Products are constantly updated, subject to the actual product without notice