

CT4 HYBRID

CINDY®



● **OPTICAL**

Light Source	Ushio 400W lamp
Color Temperature	7,000K
Beam angle (spot mode)	4° - 36°
Beam angle (beam mode)	1.8° - 21°
Luminaire Output	19,600lm
Illuminance (beam mode)	115,000lux @ 20m

● **DYNAMIC EFFECT**

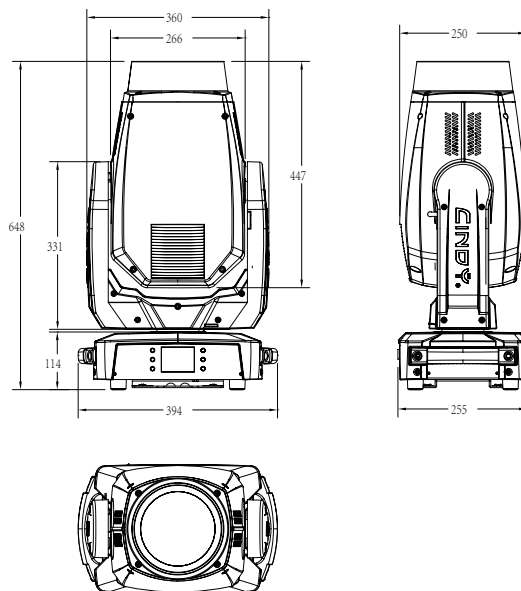
Selectable Pan Ranges	180°, 360°, 540°
Selectable Tilt Ranges	90°, 180°, 270°
Colors	14 colors +white, split colors, rainbow effects at variable speeds.
Colors	CMY
Gobos 1	9 rotating glass gobos+open, indexing, rainbow effects at variable speeds.
Gobos 2	16 static metal gobos+open, rainbow effects at variable speeds.
Dimmer	0-100% electronics
Strobe	0-15Hz, multiple strobe effects with different speeds.
Focus	Motorized
Zoom	Motorized
Frost 1	Light frost
Frost 2	Heavy frost
Prism 1	8-facet prism, rotating at variable speeds.
Prism 2	6-facet prism, rotating at variable speeds.

● **ELECTRONIC/OPERATION TEMPERATURE**

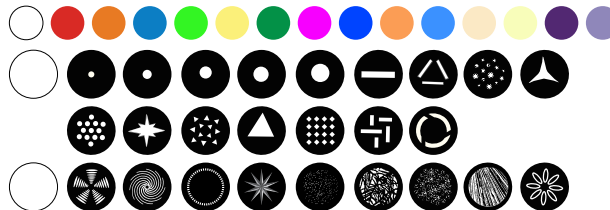
Input Voltage	100V-240V, 50/60Hz
Power	620 W
Temperature (Ambient)	-5° to 45°

● **CONTROL/CONNECTION**

Control Protocol	DMX, RDM
DMX Channels	24, 29
3 pin 5pin XLR input/output, ethernet input/output	



Size	394*255*648mm
Weight	23KG
Housing Colors	Black
Housing Material	High-impact flame-retardant polymer



Products are constantly updated, subject to the actual product without notice