

CT5 SPOT

CINDY®



● OPTICAL

Light Source	550W white LED module
Color Temperature	7,000K
Beam Angle	6.5° -52°
Luminaire Output	21,000lm
Illuminance (6.5°)	48,000lux @ 5m
Illuminance (52°)	2,050lux @ 5m
PWM Options	600Hz, 1200Hz, 4000Hz, 6000Hz, 15000Hz

● DYNAMIC EFFECT

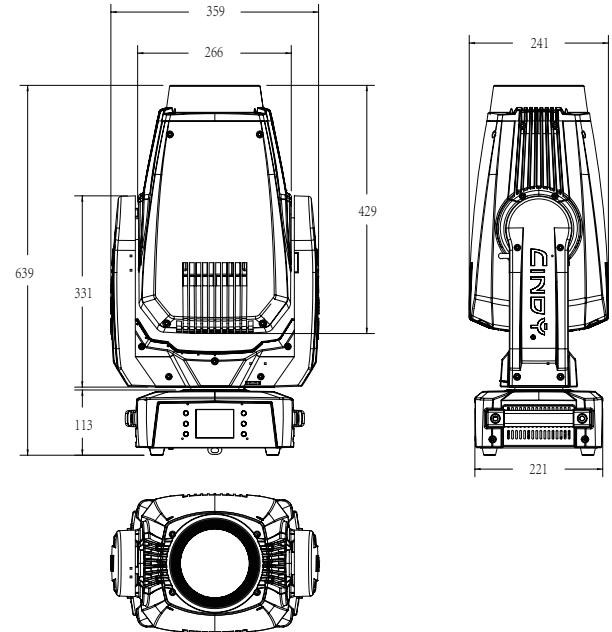
Selectable Pan Ranges	180°, 360°, 540°
Selectable Tilt Ranges	90°, 180°, 270°
Colors 1	5+3200K CTO+8000K CTB+white, split colors, rainbow effects at variable speeds.
Colors 2	7+white, split colors, rainbow effects at variable speeds.
Gobos 1	7 rotating glass gobos+open, interchangeable gobos, indexing, rainbow effects at variable speeds.
Gobos 2	9 static metal gobos +open, rainbow effects at variable speeds
Dimmer	0-100% electronics, 4 dimming curves options.
Strobe	0-25Hz, selectable multiple strobe effects with different speeds.
Focus	Motorized
Zoom	Motorized
Iris	Motorized
Prism	3-facet prism, rotating at variable speeds.

● ELECTRONIC/OPERATION TEMPERATURE

Input Voltage	100V-240V, 50/60Hz
Power	750W
Temperature (Ambient)	-5° to 45°

● CONTROL/CONNECTION

Control Protocol	DMX, RDM
DMX Channels	19, 24
3 pin XLR input output	



Size	359*241*639mm
Weight	21KG
Housing Colors	Black
Housing Material	High-impact flame-retardant polymer

