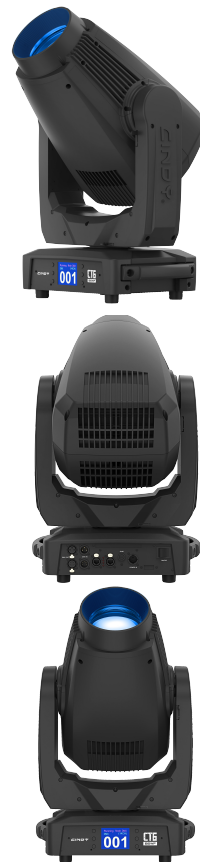


CT6 BSWF

CINDY®



● OPTICAL

| | |
|--------------------|--|
| Light Source | 600W white LED module |
| High CRI mode | Ra > 90 |
| Color Temperature | 7,000 K |
| Beam Angle | 6.5-52° |
| Luminaire Output | 23,000lm |
| Illuminance (6.5°) | 55,800lm @ 5m |
| Illuminance (52°) | 2,100lm @ 5m |
| PWM Options | 600Hz, 1200Hz, 4000Hz, 6000Hz, 15000Hz |

● DYNAMIC EFFECT

| | |
|------------------------|---|
| Selectable Pan Ranges | 180°, 360°, 540° |
| Selectable Tilt Ranges | 90°, 180°, 270° |
| Colors | 5 colors +CTB+CRI FILTER+white, split colors, rainbow effects at variable speeds. |
| Colors | CMY, CTO |
| Gobos 1 | 7 rotating glass gobos+open, interchangeable gobos, indexing, rainbow effects at variable speeds. |
| Gobos 2 | 7 rotating glass gobos+open, interchangeable gobos, indexing, rainbow effects at variable speeds. |
| Framing Shutters | 4 individual shutter blades, rotation of module is 120° |
| Dimmer | 0-100% electronics, 4 dimming curves options. |
| Strobe | 0-25Hz, selectable multiple strobe effects with different speeds. |
| Focus | Motorized |
| Zoom | Motorized |
| Frost | Motorized |
| Iris | Motorized |
| Prism | 5-facet prism, rotating at variable speeds. |

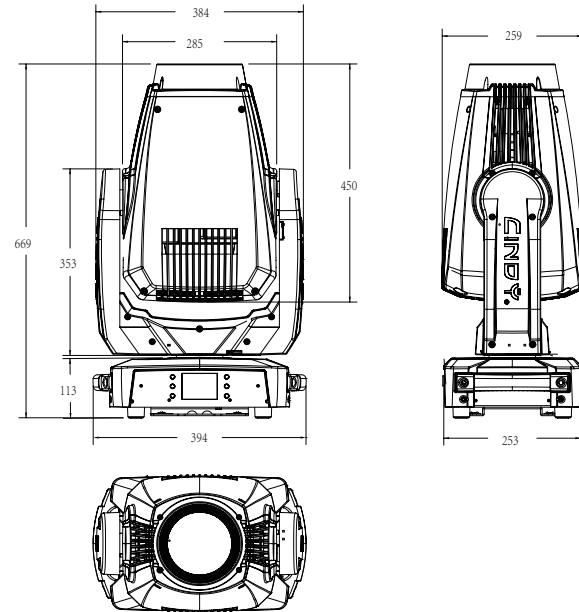
● ELECTRONIC/OPERATION TEMPERATURE

| | |
|-----------------------|--------------------|
| Input Voltage | 100V-240V, 50/60Hz |
| Power | 820W |
| Temperature (Ambient) | -5° to 45° |

● CONTROL/CONNECTION

| | |
|---|---|
| Control Protocol | DMX, RDM, ArtNet, sACN, WDMX(*optional) |
| DMX Channels | 33, 50 |
| 3 pin/5 pin XLR input output, ethernet input/output | |

Products are constantly updated, subject to the actual product without notice



| | |
|------------------|-------------------------------------|
| Size | 394*259*669mm |
| Weight | 26KG |
| Housing Colors | Black |
| Housing Material | High-impact flame-retardant polymer |

