

CT8 BSWF

CINDY



● OPTICAL

Light Source	1200W white LED module
High CRI mode	Ra>90
Color Temperature	7,000K
Beam Angle	5.5° -54°
Luminaire Output	55,000lm
Illuminance (5.5°)	99,000lux @ 5m
Illuminance (54°)	3,500lux @ 5m
PWM Options	600Hz, 1200Hz, 4000Hz, 6000Hz, 15000Hz

● DYNAMIC EFFECT

Selectable Pan Ranges	180°, 360°, 540°
Selectable Tilt Ranges	90°, 180°, 270°
Colors	5 colors + CRI +white, split colors, rainbow effects at variable speeds.
Colors	CMY, CTO
Gobos 1	7 rotating glass gobos+open, interchangeable gobos, indexing, rainbow effects at variable speeds
Gobos 2	8 static glass gobos+open, rainbow effects at variable speeds
Framing Shutters	4 individual shutter blades, rotation of module is 120°
Dimmer	0-100% electronics, 4 dimming curves options
Strobe	0-25Hz, selectable multiple strobe effects with different speeds
Focus	Motorized
Zoom	Motorized
Frost 1	Light frost
Frost 2	Heavy frost
Virtual Fresnel lens effect	
Iris	Motorized
Animation	3 animations effects, continuous rotation at both speed
Prism 1	5-facet prism, rotating at variable speeds
Prism 2	Linear prism, rotating at variable speeds

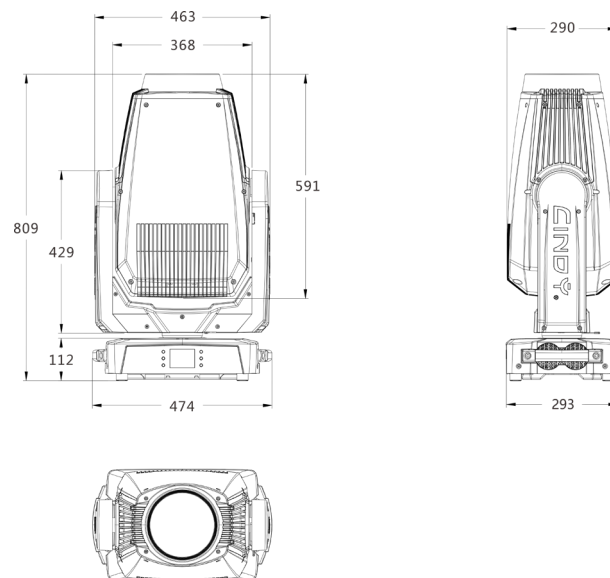
● ELECTRONIC/OPERATION TEMPERATURE

Input Voltage	100V-240V, 50/60Hz
Power	1600W
Temperature (Ambient)	-5° to 45°

● CONTROL/CONNECTION

Control Protocol	DMX, RDM, ArtNet, sACN, WDMX(*optional)
DMX channels	37, 53
	3 pin/5 pin XLR input/output, ethernet input/output
	USB update enabled

Products are constantly updated, subject to the actual product without notice



● PHYSICAL

Size	474*293*809mm
Weight	43KG
Housing Colors	Black
Housing Material	High-impact flame-retardant polymer

