

PRO-400 HYBRID

CINDY®



● **OPTICAL**

Light Source	Ushio 400W lamp
Color Temperature	6500K
Beam angle (spot mode)	5° -20°
Beam angle (beam mode)	2.5° -10°
Luminaire Output	12,500lm
Illuminance (beam mode)	95,000lux@20m

● **DYNAMIC EFFECT**

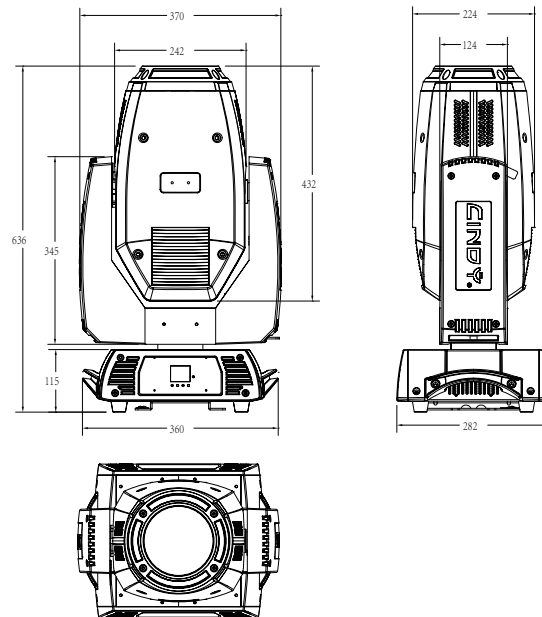
Selectable Pan Ranges	180°, 360°, 540°
Selectable Tilt Ranges	90°, 180°, 270°
Colors	13+white, split colors, rainbow effects at variable speeds
Gobos 1	13 static metal gobos+open, rainbow effects at variable speeds
Gobos 2	9 rotating gobos+open, indexing, rainbow effects at variable speeds.
Dimmer	0-100% electronics
Strobe	0-15Hz, selectable multiple strobe effects with different speeds
Focus	Motorized
Zoom	Motorized
Frost	Motorized
Prism 1	8-facet prism, rotating at variable speeds
Prism 2	6-facet prism, rotating at variable speeds

● **ELECTRONIC/OPERATION TEMPERATURE**

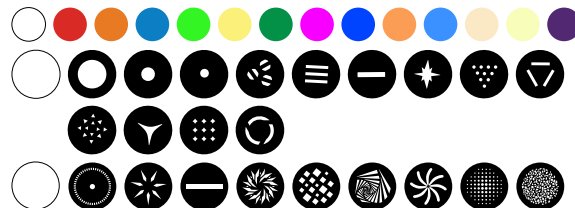
Input Voltage	100V-240V, 50/60Hz
Power	580W
Temperature (Ambient)	-5° to 45°

● **CONTROL/CONNECTION**

Control Protocol	DMX, RDM
DMX Channels	20, 25
3 pin /5pin XLR input/output	



Size	372*282*637mm
Weight	21.5KG
Housing Colors	Black
Housing Material	High-impact flame-retardant polymer



Products are constantly updated, subject to the actual product without notice