

SW-2 SPOT



CINDY®

● OPTICAL

Light Source	500W white LED module
Color Temperature	6,800K
Beam Angle	6.5° -45°
Luminaire Output	17,000lm
Illuminance (6.5°)	36,300lux @ 5m
Illuminance (45°)	2,100lux @ 5m
PWM Options	600Hz, 1200Hz, 2000Hz, 4000Hz, 6000Hz, 15000Hz

● DYNAMIC EFFECT

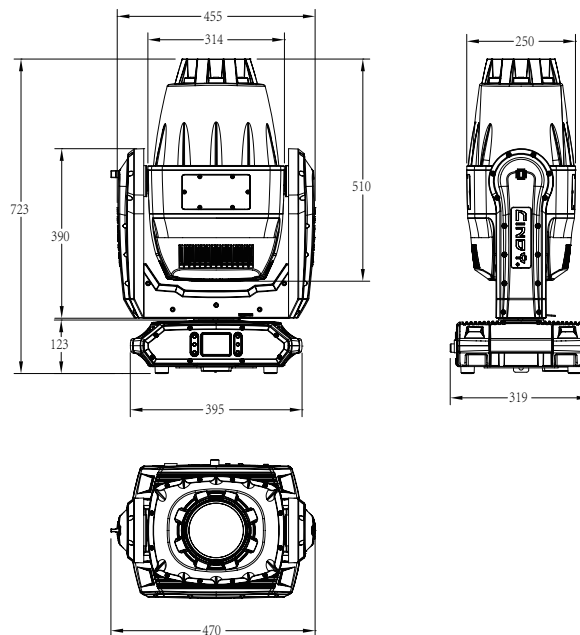
Selectable Pan Ranges	180° , 360° , 540°
Selectable Tilt Ranges	90° , 180° , 270°
Colors	7 colors +white, split colors, rainbow effects at variable speeds.
Colors	CMY, CTO
Gobos 1	7 rotating glass gobos+open, interchangeable gobos, indexing, rainbow effects at variable speeds.
Gobos 2	8 static metal gobos+open, rainbow effects at variable speeds.
Animation wheel	animation effect at variable speeds.
Dimmer	0-100% electronics,4 dimming curves options.
Strobe	0-25Hz, selectable multiple strobe effects with different speeds.
Focus	Motorized
Zoom	Motorized
Frost 1	light frost effect
Frost 2	medium frost effect
Iris	Motorized
Prism	5-facet prism, rotating at variable speeds.

● ELECTRONIC/OPERATION TEMPERATURE

Input Voltage	100V-240V, 50/60Hz
Power	670W
Temperature (Ambient)	-5° to 45°

● CONTROL/CONNECTION

Control Protocol	DMX, RDM, ArtNet, sACN, WDMX(*optional)
DMX Channels	26, 33
IP65 rated 3 pin XLR input/output, ethernet input/output	
IP65 rated power	



Size	455*319*723mm
Weight	40KG
Housing Colors	black or white
IP Rated	IP65

