

T2 SPOT



CINDY®



● OPTICAL

Light Source	250W white LED
Color Temperature	8,000K
Beam Angle	13° -28°
Luminaire Output	9,500lm
Illuminance (13°)	14,500lux @ 5m
Illuminance (28°)	3,900lux @ 5m

● DYNAMIC EFFECT

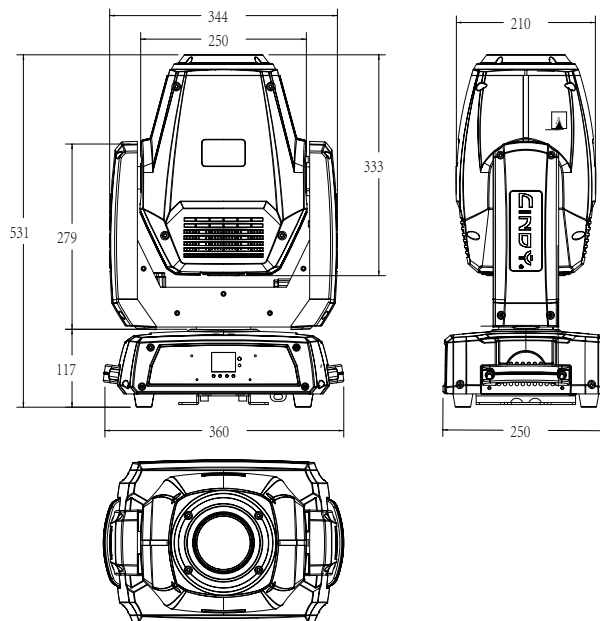
Selectable Pan Ranges	180°, 360°, 540°
Selectable Tilt Ranges	90°, 180°, 270°
Colors	7 colors +white, split colors, rainbow effects at variable speeds.
Gobo 1	7 rotating gobos+open, interchangeable gobos, indexing, rainbow effects at variable speeds.
Gobos 2	8 static metal gobos+open, rainbow effects at variable speeds.
Dimmer	0-100% electronics, 4 dimming curves options.
Strobe	0-25Hz, selectable multiple strobe effects with different speeds.
Focus	Motorized
Zoom	Motorized
Prism	3-facet prism, rotating at variable speeds.

● ELECTRONIC/OPERATION TEMPERATURE

Input Voltage	100V-240V, 50/60Hz
Power	440W
Temperature (Ambient)	-5° to 45°

● CONTROL/CONNECTION

Control Protocol	DMX
DMX Channels	10, 16
3 pin XLR input/output	



Size	360*250*531mm
Weight	17KG
Housing Colors	Black
Housing Material	High-impact flame-retardant polymer

