

T3X BEAM



CINDY®



● **OPTICAL**

Light Source	Ushio 300W Lamp
Color Temperature	7,200K
Beam Angle	1.7
Luminaire Output	8,600lm
Illuminance	148,000lux @ 20m

● **DYNAMIC EFFECT**

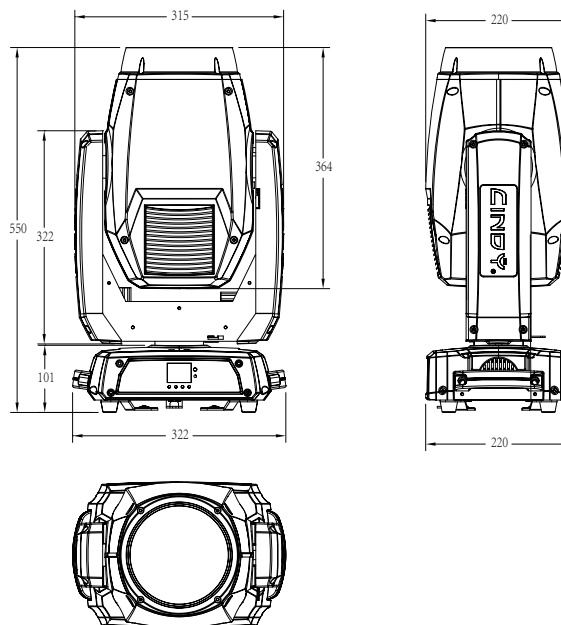
Selectable Pan Ranges	180°, 360°, 540°
Selectable Tilt Ranges	90°, 180°, 270°
Colors	14 colors +white, split colors, rainbow effects at variable speeds.
Gobos	17 static metal gobos+open, rainbow effects at variable speeds.
Dimmer	0-100% electronics
Strobe	0-15Hz, selectable multiple strobe effects with different speeds
Focus	Motorized
Frost	Motorized
Prism 1	8-facet prism, rotating at variable speeds.
Prism 2	24-facet prism, rotating at variable speeds.

● **ELECTRONIC/OPERATION TEMPERATURE**

Input Voltage	100V-240V, 50/60Hz
Power	410W
Temperature (Ambient)	-5° to 45°

● **CONTROL/CONNECTION**

Control Protocol	DMX , RDM
DMX Channels	16, 19
3 pin XLR input /output	



Size	322*220*550mm
Weight	16KG
Housing Colors	Black
Housing Material	High-impact flame-retardant polymer



Products are constantly updated, subject to the actual product without notice