

T3X HYBRID

CINDY®



● OPTICAL

Light Source	Ushio 300W Lamp
Color Temperature	6,600K
Beam Angle (spot mode)	2.6° -43°
Beam Angle (beam mode)	2° -37°
Luminaire Output	7,500lm
Illuminance (beam mode)	52,000lux @ 20m

● DYNAMIC EFFECT

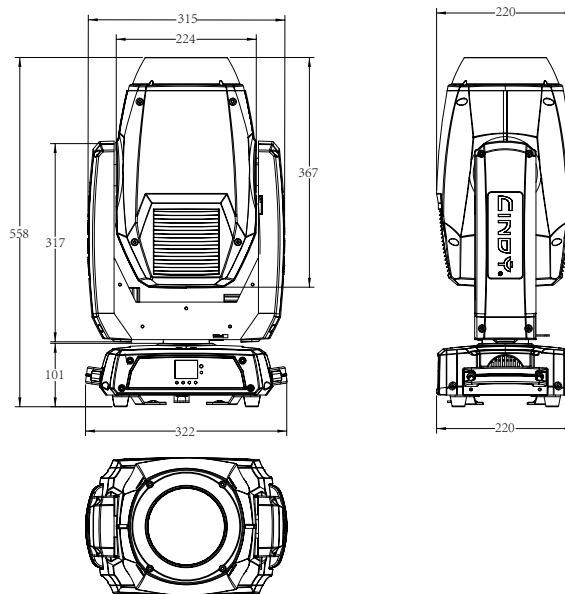
Selectable Pan Ranges	180°, 360°, 540°
Selectable Tilt Ranges	90°, 180°, 270°
Colors	12 colors +white, split colors, rainbow effects at variable speeds.
Gobo 1	16 static metal gobos+open, rainbow effects at variable speeds.
Gobos 2	8 metal gobos+open, interchangeable gobos, indexing, rainbow effects at variable speeds.
Dimmer	0-100% electronics
Strobe	0-15Hz, selectable multiple strobe effects with different speeds.
Focus	Motorized
Zoom	Motorized
Frost	Motorized
Prism 1	8-facet prism, rotating at variable speeds.
Prism 2	24-facet prism, rotating at variable speeds.

● ELECTRONIC/OPERATION TEMPERATURE

Input Voltage	100V-240V, 50/60Hz
Power	470W
Temperature (Ambient)	-5° to 45°

● CONTROL/CONNECTION

Control Protocol	DMX, RDM
DMX Channels	19, 22
3 pin XLR input /output	



Size	322*220*558mm
Weight	16KG
Housing Colors	Black
Housing Material	High-impact flame-retardant polymer

