

TOR-2 WASH BEAM

CINDY®



● OPTICAL

Light Source	6 pcs 50W RGBW 4 in 1 LED
Beam Angle	4.7° -40°
Luminaire Output	1,800lm
Illuminance (4.7°)	12,000lux @ 5m
Illuminance (40°)	480lux@ 5m
PWM Options	600Hz, 1200Hz, 4000Hz, 6000Hz, 15000Hz

● DYNAMIC EFFECT

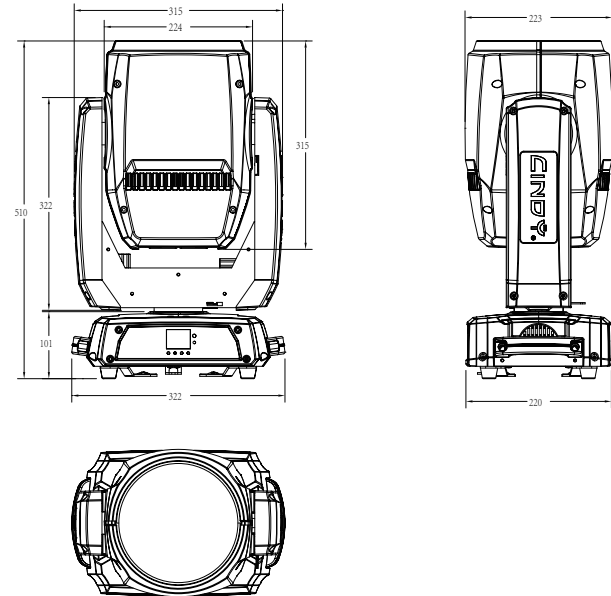
LED	Pixel control
Selectable Pan Ranges	180°, 360°, 540°
Selectable Tilt Ranges	90°, 180°, 270°
Dimmer	0-100% electronics
Strobe	0-25Hz, selectable multiple strobe effects with different speeds.
Zoom	Motorized
Color Mixing	RGBW mixing or CMY mixing
Frost 1	Radial diffuser
Frost 2	Light frost
Special effect	Multi-colored beam effects, bi-directional rotating front lens.

● ELECTRONIC/OPERATION TEMPERATURE

Input Voltage	100V-240V, 50/60Hz
Power	365W
Temperature (Ambient)	-5° to 45°

● CONTROL/CONNECTION

Control Protocol	DMX, RDM
DMX Channels	24, 53, 59, 86
3 pin XLR input/output	



Size	322*223*510mm
Weight	13KG
Housing Colors	Black
Housing Material	High-impact flame-retardant polymer